

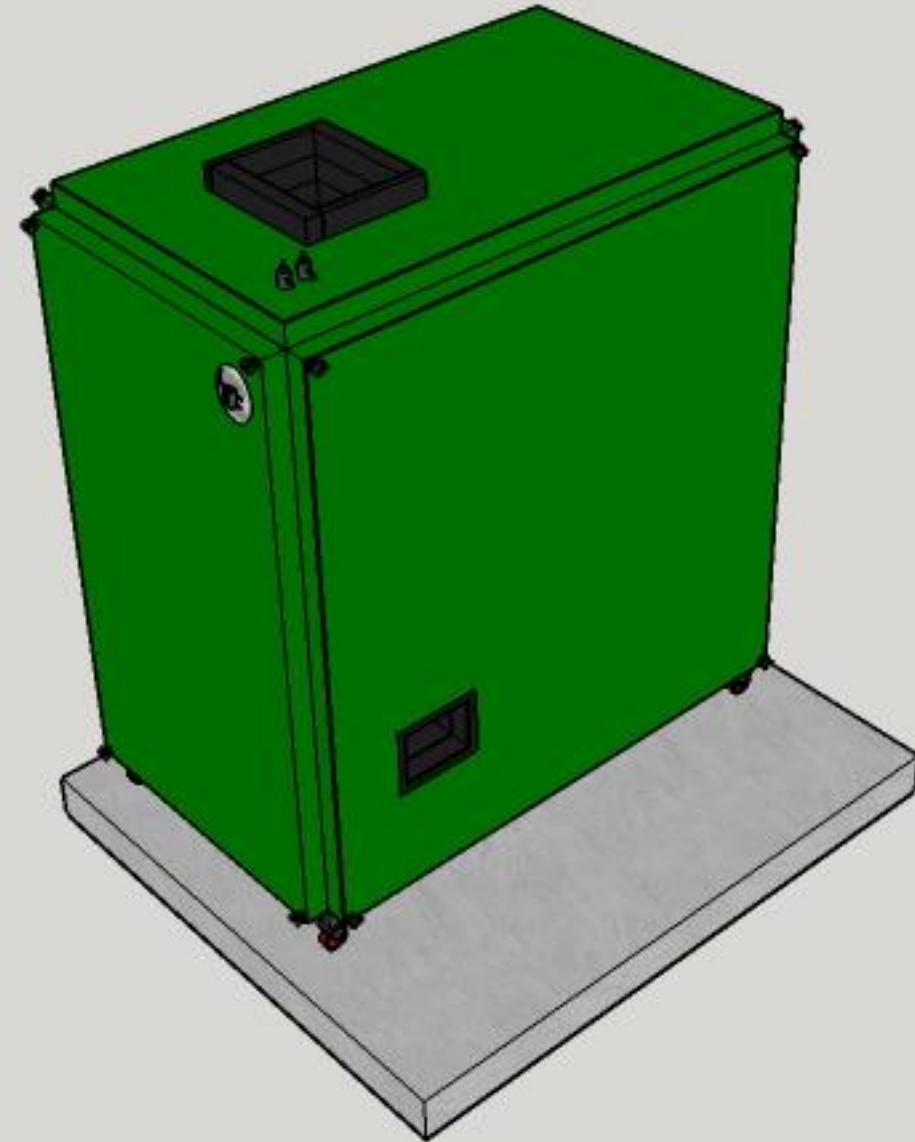
# COMPOST MACHINE

MECHWAT TECHNOLOGIES PVT. LTD.  
[WWW.MECHWAT.COM](http://WWW.MECHWAT.COM)

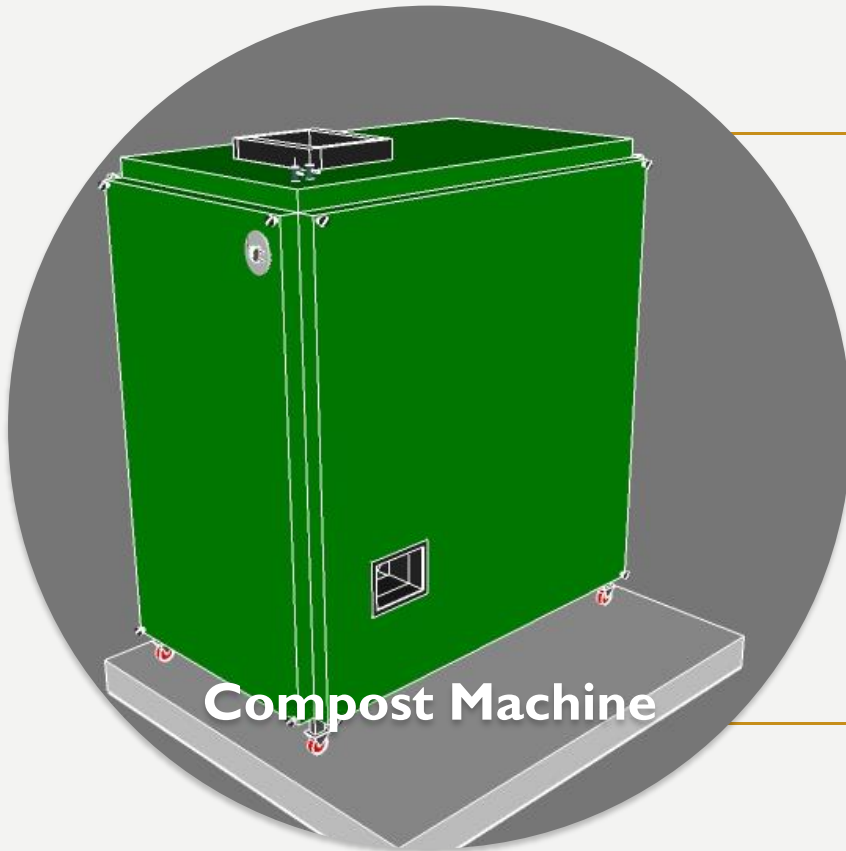


# OBJECTIVE

- To convert the organic waste into compost.
- To optimize the time duration and efficiency of natural composting process.
- To maintain the hygiene of food zone like canteen, café, hotels, hostels.



# PROCESS OPERATION



## Shredding

- To convert the large organic waste residual into small pieces for optimization of biological degradation rate
- Shredded waste automatically transferred to mixing & composting segment.



## Mixing & Composting

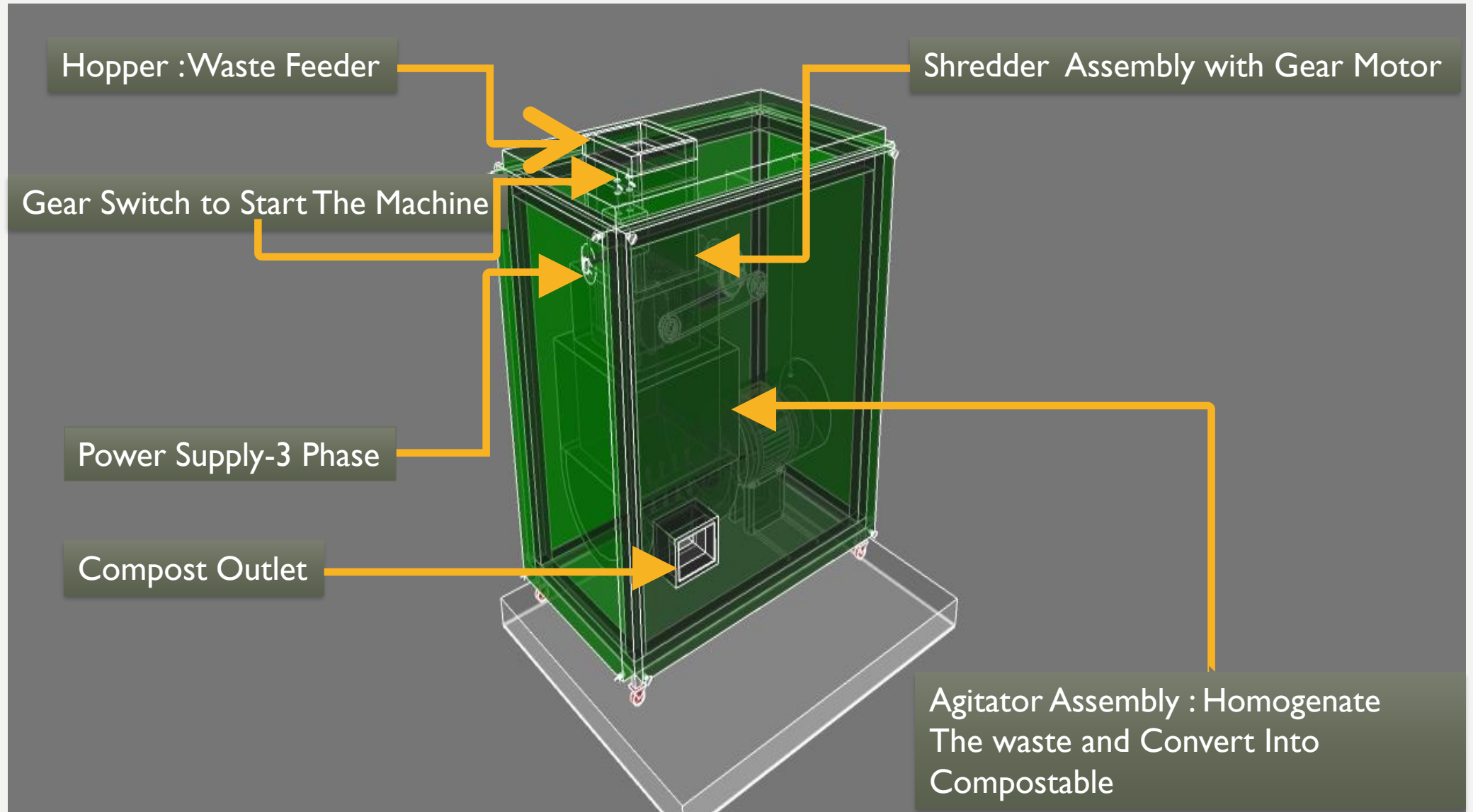
- Shredded waste homogenate with biologically active compost
- Microbes degrade the organic waste into digested organic manure
- Organic manure will be dry for 5 -7 days



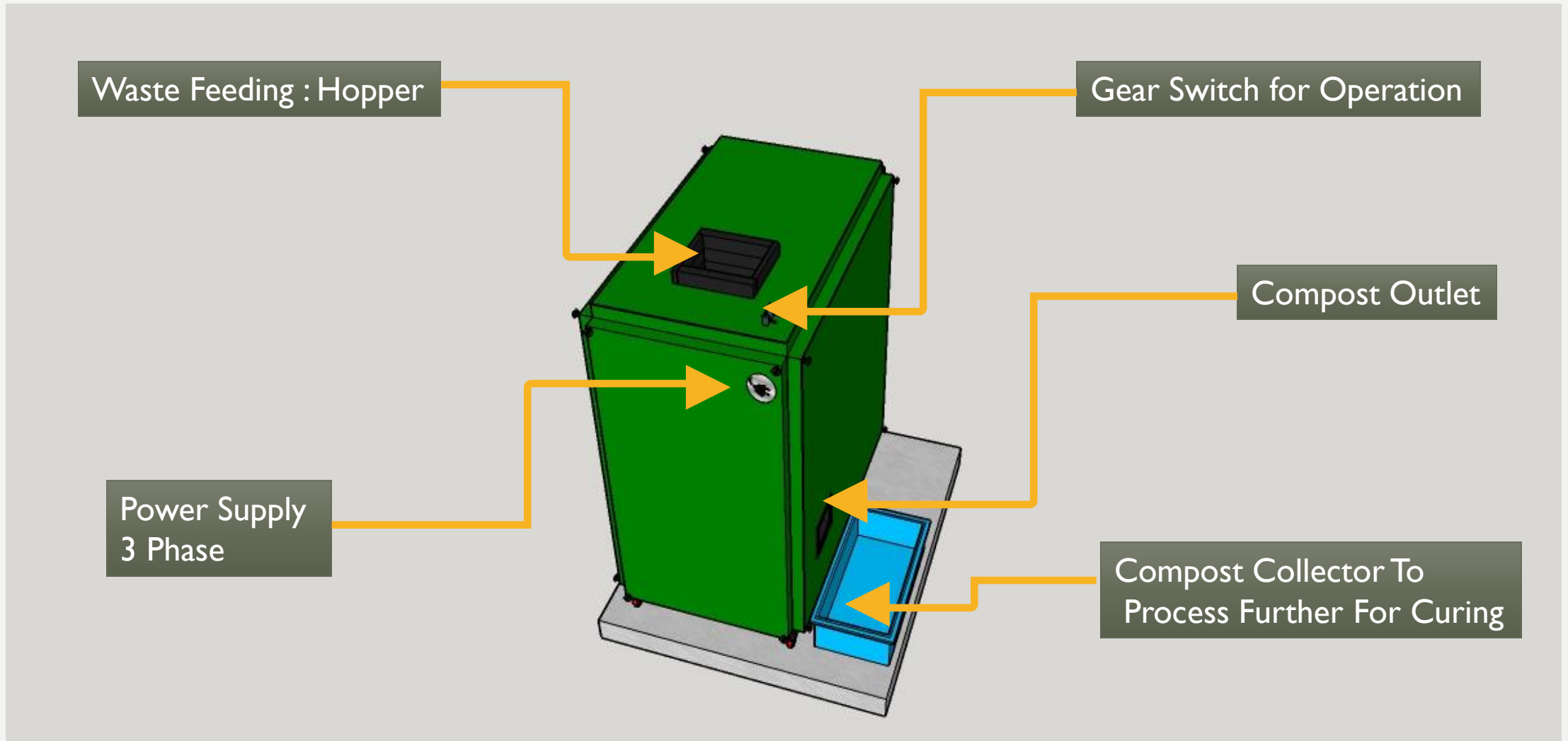
## Curing

- Composted organic manure cure and utilize for gardening propose

# MACHINE COMPONENTS:



# MACHINE OPERATION



# OPERATION STEP FOR OPERATOR

## Feeding

- Segregation of Organic Waste at Source
- Feeding of organic waste into Shredder Hopper

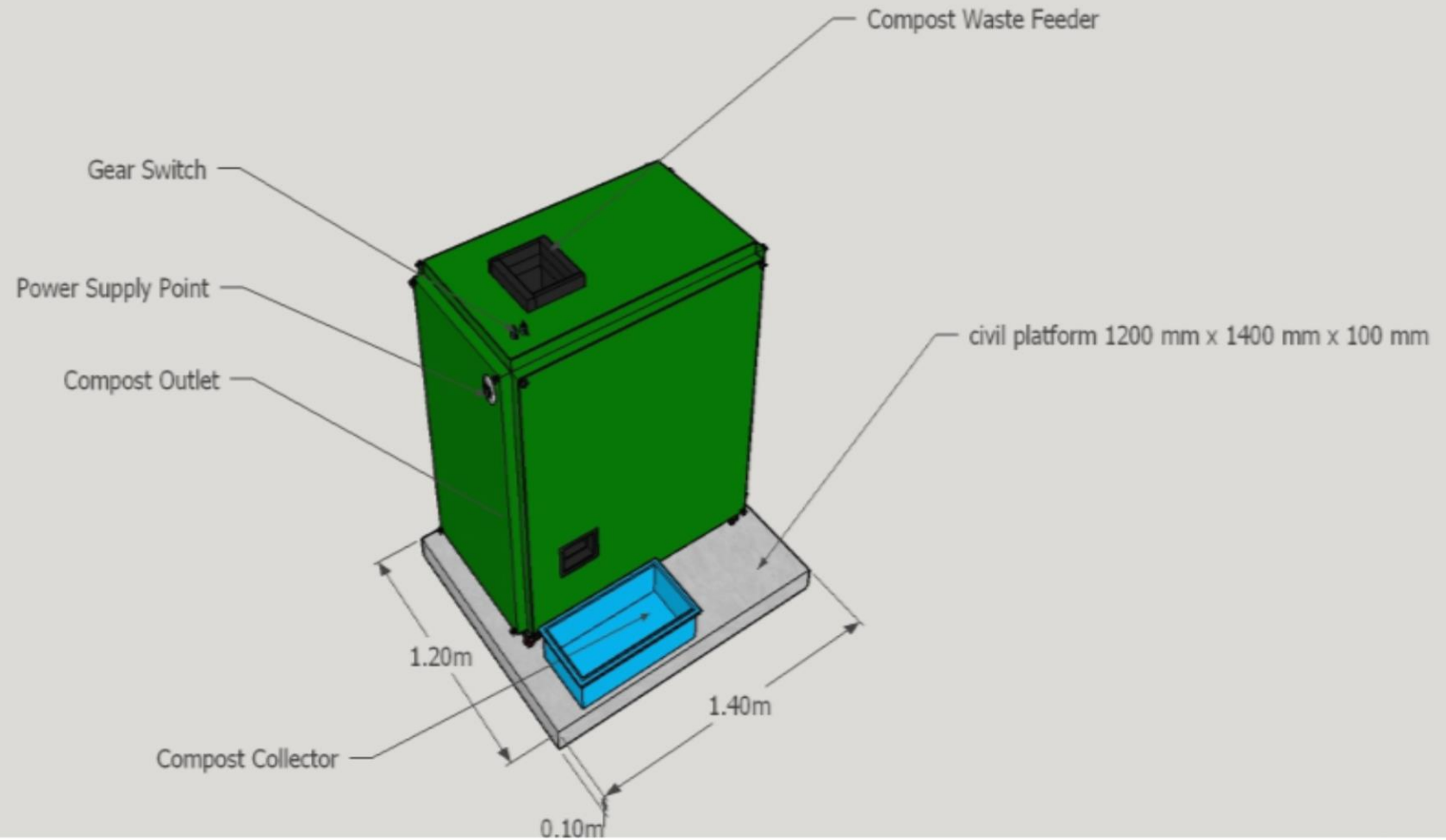
## Operation

- To start the shredder and complete the shredding operation.
- Put off the shredder
- To start the agitator operation for 30 minute

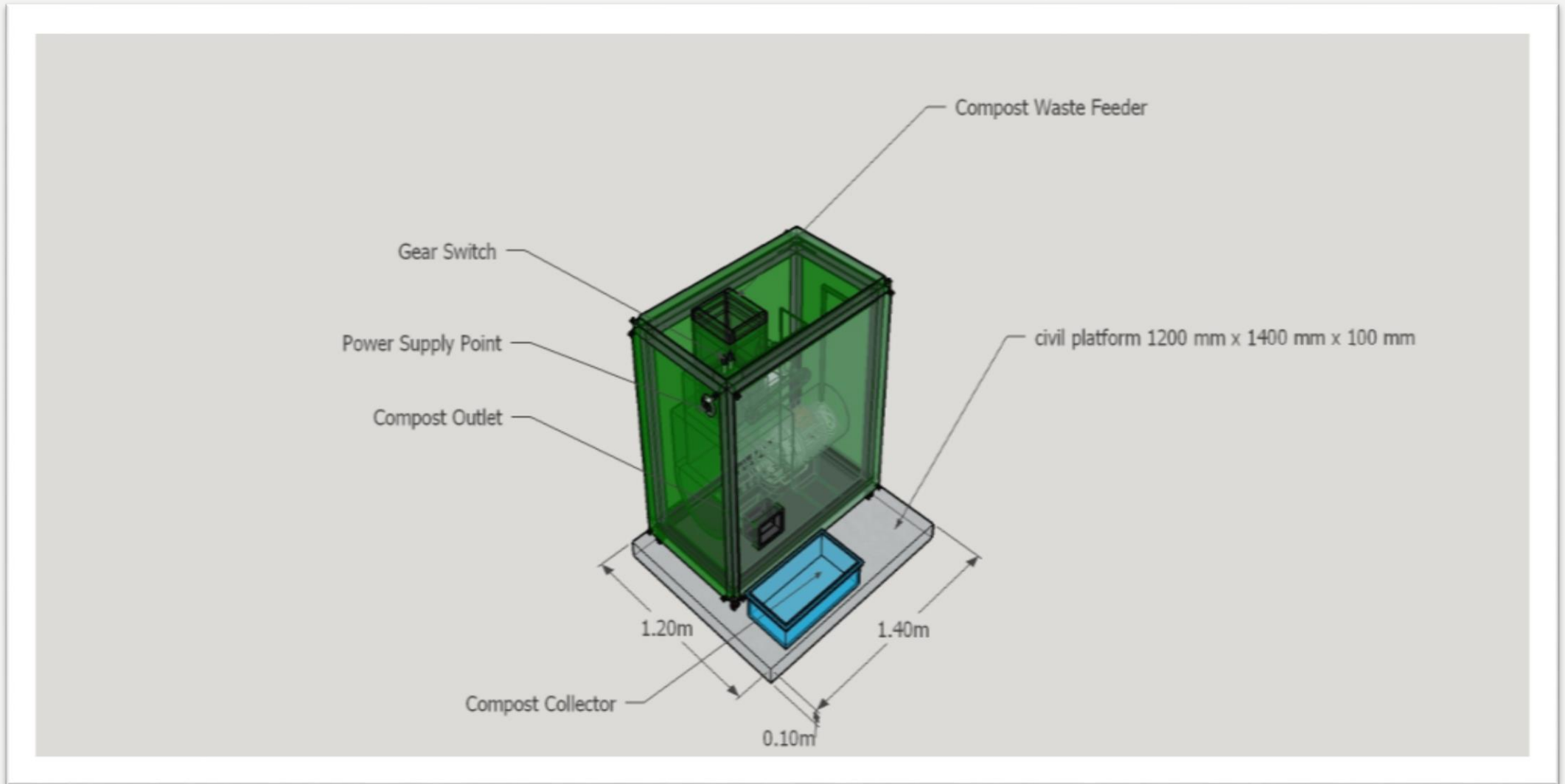
## Collection and curing process

- To open the compost outlet box and start the agitator for compost collection propose.
- To collect the homogenate waste into box.
- To dry the waste for 10-14 days in open air.
- To utilize the compost waste as a fertilizer for agriculture crop and gardening.

# MACHINE INSTALLATION VIEW

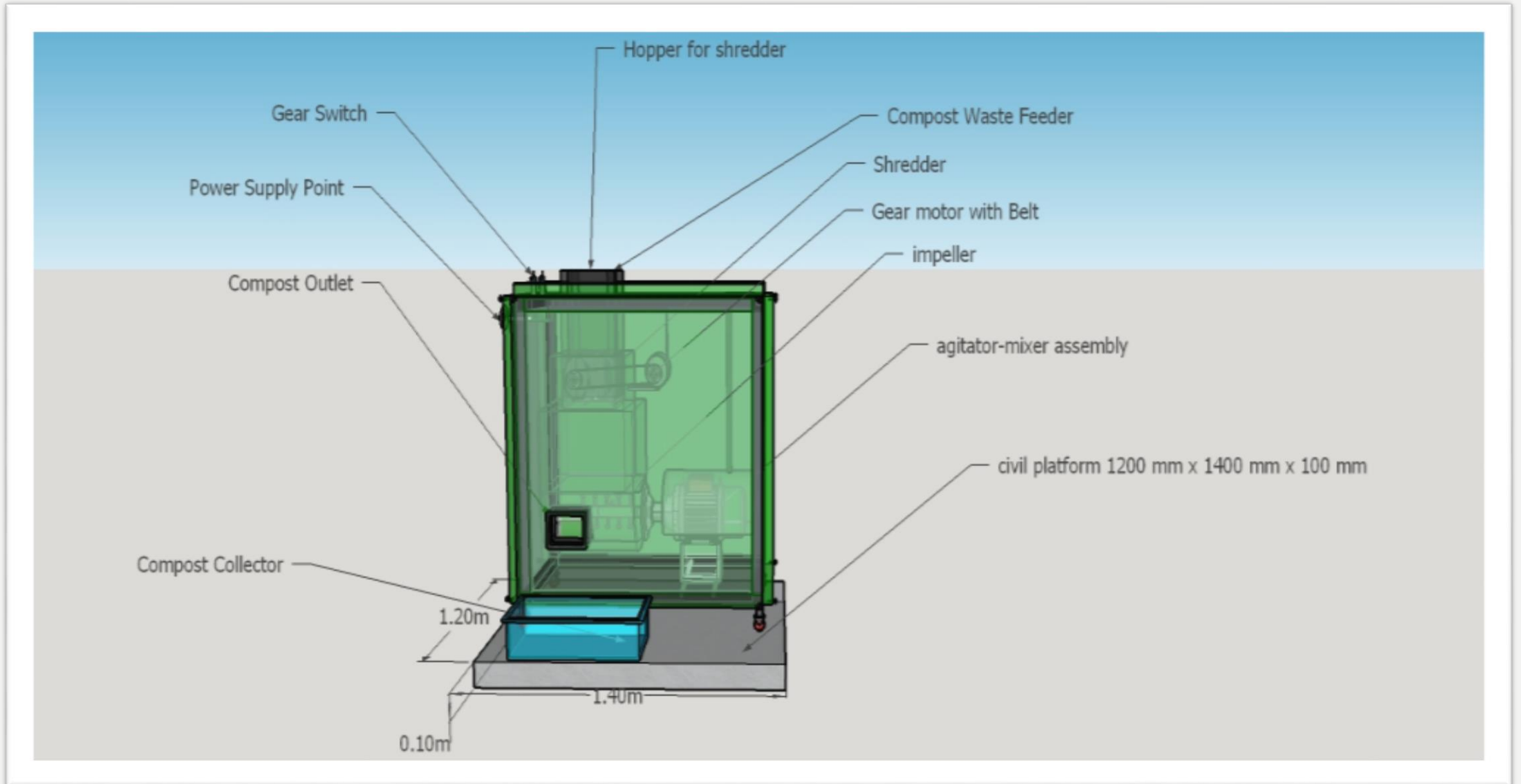


# MACHINE INSTALLATION VIEW[-X]





# MACHINE COMPONENTS[-X]



# BENEFITS OF COMPOST UTILIZATION

Improve the  
moisture  
retention in  
Soil

Soil hold  
nutrient long  
enough for  
plant to use  
them

Nutrient  
from  
compost are  
not washed  
away by  
rainfall

Improve the  
texture and  
air circulation  
of heavier soil

Keep Valuable  
resource out  
of landfill

# MECHWAT

Technologies



INNOVATION IS IDENTITY

[WWW.MECHWAT.COM](http://WWW.MECHWAT.COM)